

TITAN TH2 type 14 kN

Hydraulic drum winch with 14 kN hoisting force

Performance data:

TH 2	rope capacity	according to DIN 15020				
	rope layer	1.	2.	3.	4.	5.
hoisting force in kN, design according 1 Bm°		20 (19)	18 (17)	16,5 (16)	15 (14,5)	14 (X)
rope length in m/layer, rope diameter 10 mm (M3) ¹		10 (10)	11 (12)	13 (13)	13 (14)	14 (X)
total rope length in m		10 (10)	21 (22)	34 (35)	47 (49)	61 (X)
rope speed v in m/min, Qmax. = 83 l/min at standard motor, 51 l/min at medium speed motor		40 (42)	44 (46)	48 (50)	52 (54)	56 (X)

° gear according to FEM 9.511

¹ rope diameter according FEM 5.013

figures in brackets are valid when using drum barrel. (X) layer not available when using drum barrel.

- diff. pressure at hoisting force (1Bm)
20 kN = 130 bar dyn., 170 bar stat.
(at medium speed motor 205 bar dyn., 275 bar stat.),
return flow pressure 10 bar in consideration.

Recommendation:

- installation has to be carried out according to the guidelines for ROTZLER TITAN hoist winches!
- weight of the winch approx. 77 kg.
- for this winch we recommend a rotating resistant rope, cross lay to the right.
- rope diameter: 10 mm recommended, 6 - 11 mm possible.
- the last three windings of cable must always remain on the drum for safety reasons.
- this winch must not be used for personnel transportation.



Hydraulic drum winch with 14 kN hoisting force

Standard version:

- incl. planetary gear box
- incl. automatic disc brake
- incl. hydraulic motor
- incl. hoisting free wheel
- incl. external brake release port
- incl. protective powder coating
- sea water protected

Optional:

- with medium speed motor
- MCD: control functions as rope end and torque control
- with valve for external brake release

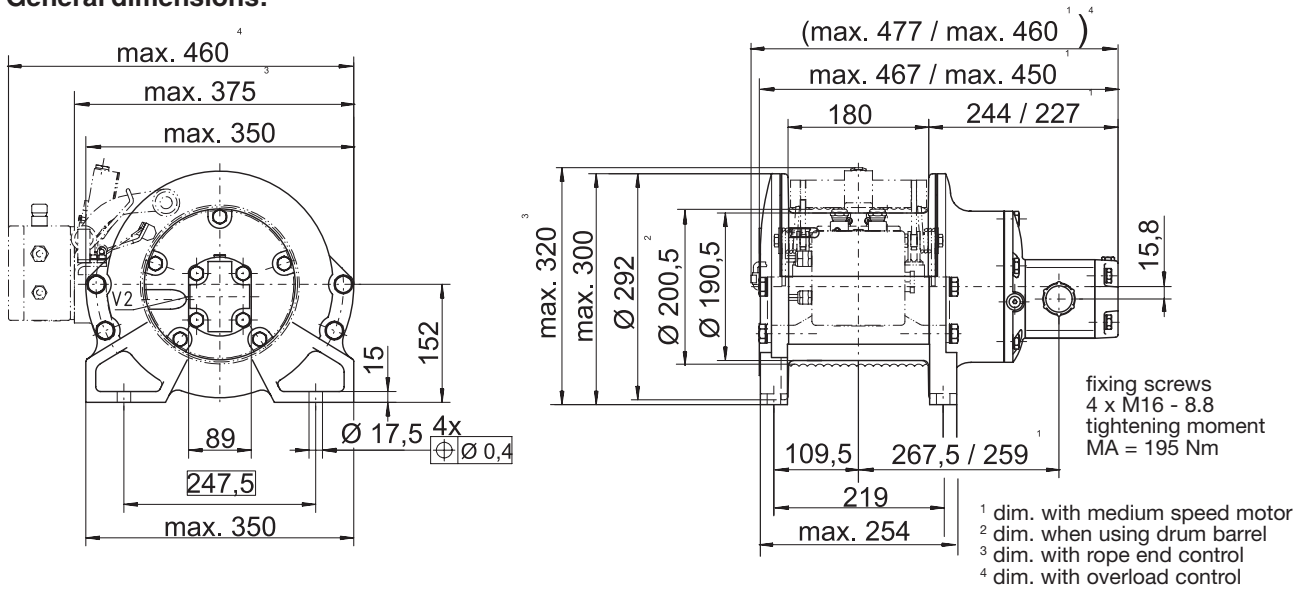
Our competence:

- design acc. DIN and FEM
- compact design
- low weight
- compact installation
- high quality
- up to date technique
- high operation safety
- precise operation
- easy to maintain
- long working life

TITAN TH2 type

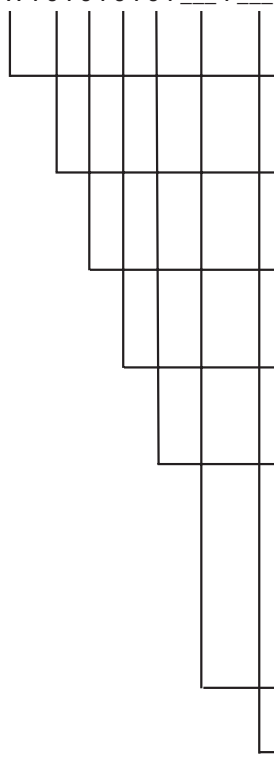
14 kN

General dimensions:



Order coding system (valid since 25.10.1999)

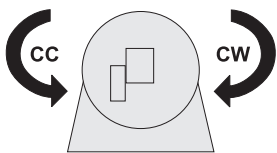
1 . TH . 020 . CW . 0 . 0 . 0 . 0



direction of rotation ¹	CW	clockwise
	CC	counter clockwise
Motortyp	0 -	standard motor (standard)
	1 -	medium speed motor
drum	0 -	standard drum
	1 -	large drum ⁴
grooving	0 -	without grooving (standard)
	1 -	special grooving ⁴
M C D	0 -	without (Standard)
	1 -	MCD Step 1: rope end control
	2 -	MCD Step 2: rope end and 1pt torque control
	3 -	MCD Step 3: rope end and 2pt torque control

adjustment hoisting force first point (1. layer)²

adjustment hoisting force second point (1. layer)³



¹ in each case view to the motor side
² only with control function 1pt torque control
³ only with control function 2pt torque control
⁴ not available in the moment